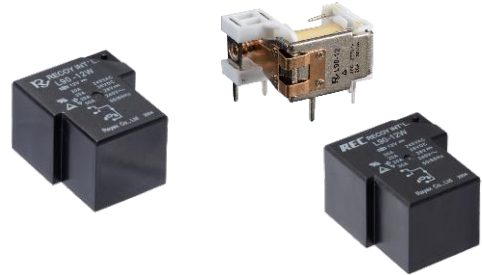


RAYEX REC L90 SERIES

FEATURES

- Up to 30A switching capacity in 1PST and 20A switching in 1PDT arrangement
- Open-frame and plastic sealed types are available
- Using at home appliances, power switching appliances, car controller, heating, ventilating, and conditioning systems



UL FILE NO. : E510886
 CUL FILE NO. : E510886
 TUV FILE NO. : R50433377

ORDERING INFORMATION

L90 A S — 12 A W L
 1 2 3 4 5 6 7

1. Type

2. Contact Arrangement

Nil : 1 Form C(1PDT)

A : 1 Form A(1PST-NO)

B : 1 Form B(1PST-NC)

3. Common Terminals Type

Nil : Standard Type

S : Without Common Terminal
 between coil terminals

4. Coil Nominal Voltage

5. Coil Nominal Voltage Type

Nil : DC

A : AC

6. Enclosure Type

Nil : Open Type

W : Sealed Type

7. Contact Rating

Nil : 30A (UL/TUV)

L : 40A

T : 20A

COIL DATA(at 25°C)

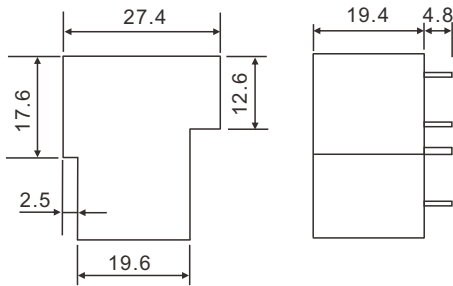
DC 0.9 W				AC 1.2 VA			
Coil Nominal Voltage (VDC)	Resistance Tol.±10% (Ohms)	Maximum Pick Up Voltage (V)	Minimum Drop Out Voltage (V)	Coil Nominal Voltage (50/60Hz)	Resistance Tol.±10% (Ohms)	Maximum Pick Up Voltage (V)	Minimum Drop Out Voltage (V)
5	27	3.75	0.5	6	10	5.1	0.6
6	40	4.5	0.6	12	43	10.2	1.2
9	97	6.75	0.9	24	160	20.4	2.4
12	155	9.0	1.2	110	3,160	93.5	11.0
18	380	13.5	1.8	220	13,490	187.0	22.0
24	660	18.0	2.4				
48	2,560	36.0	4.8				

CONTACT RATING

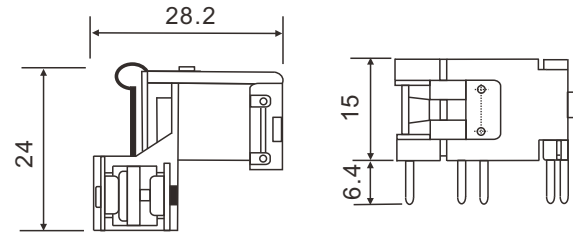
1A(1PST-NO)	Resistive (Cos.θ = 1)	AC 240V /DC28V	30A
1B(1PST-NC)	Resistive (Cos.θ = 1)	AC 240V /DC28V	15A
1C(1PDT)	Resistive (Cos.θ = 1)	AC 240V /DC28V	NC:20A/NO:30A
L:1C(1PDT)	Resistive (Cos.θ = 1)	AC 240V/ DC 30V	NC/NO:40A
T:1C(1PDT)	Resistive (Cos.θ = 1)	AC 240V/ DC 30V	NC:20A/NO:30A

DIMENSIONS(±0.2mm)

SEALED TYPE

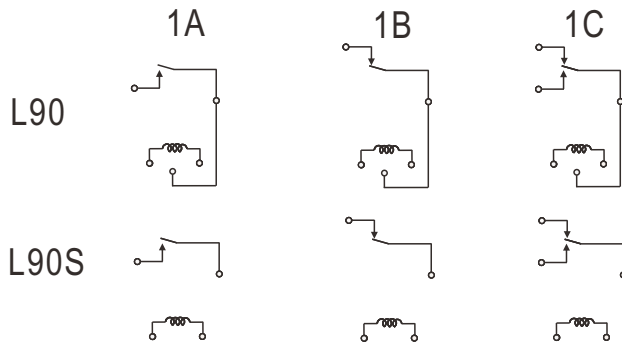


OPEN TYPE

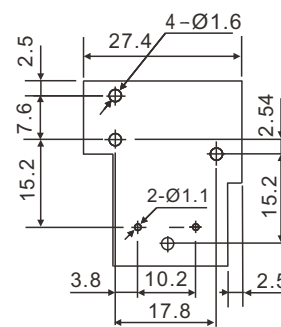


P.C.B LAYOUT
(BOTTOM VIEW)

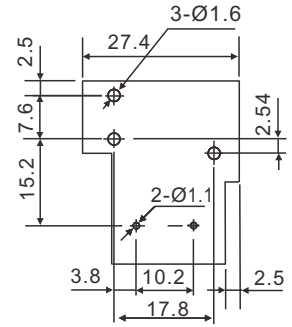
WIRING DIAGRAM(BOTTOM VIEW)



L90



L90S



GENERAL DATA

Insulation Resistance	100 MΩ Min. (DC 500V)
Dielectric Strength	1,500 VAC, 50/60Hz between contact.
	2,000 VAC, 50/60Hz between all elements.
Contact Material	Ag Alloy.
Contact Resistance	50 milliohms max. (initial value)
Shock Resistance	Malfunction: 10G(11ms) ; Destructive: 100G(6ms)
Vibration Resistance	Malfunction: 10 to 55 Hz. at Double Amplitude of 1.5 mm
	Destructive: 10 to 55 Hz. at Double Amplitude of 1.5 mm
Operation Time	15 ms max.
Release Time	10 ms max.
Temperature Range	- 40°C ~ + 85°C
Expected Life	With operation rate 30/min.
	Mechanical - 10,000,000 operations min.
	Nil type Electrical - 100,000 operations min. at rated load. T type Electrical - 70,000 operations min. at rated load.
Weight	32 grams